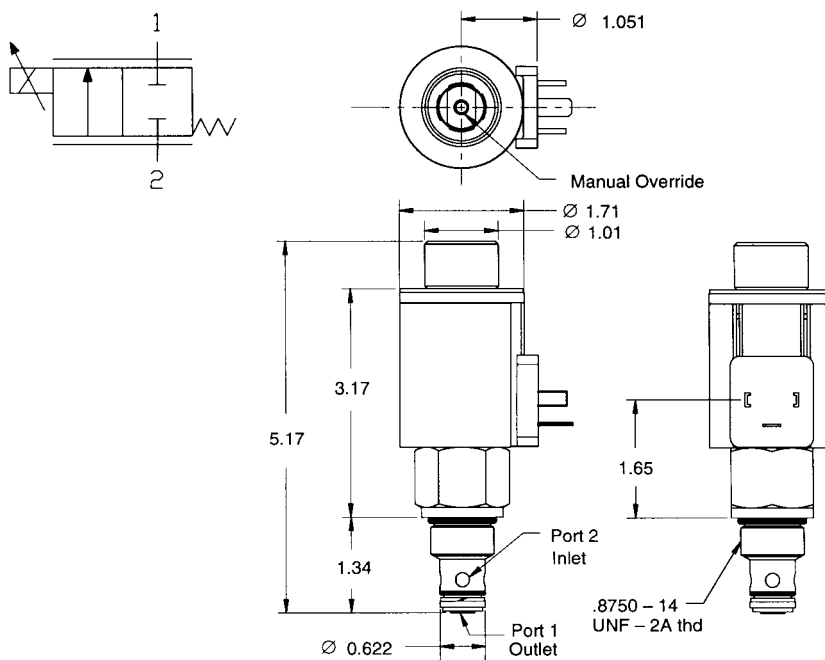




Flow Control Valves



Proportional Flow Control Valves Vickers® EPV10 Series • To 8 GPM



Application: The EPV10 is a direct acting, uni-directional, poppet type, 2-way 2-position normally closed proportional flow control valve. EPV10 poppet valves are ideally suited for speed control where response, performance and installed costs are more important than precise control through electronic position feedback.

Operation: In the de-energized position, the EPV10 blocks flow from Port 2 to Port 1, with no reverse flow permitted. When energized, the valve permits proportional flow from Port 2 to Port 1 in direct proportion to the command signal applied to the solenoid coil.

Control: The EPV10 can be driven by a 12VDC, 24VDC or PWM signal. Control of the EPV10 can be as simple as a rheostat for hand-eye coordination systems to the convenience of a power plug or with the sophistication of an amplifier card. Some devices which can be used to control the flow setting: (A) Battery and rheostat (coil tends to run hot if used in other than intermittent operation). If 12VDC: 10-12 ohms, 20-25 watts. If 24VDC 25-30 ohms, 20-25 watts. (B) 24VDC source, 12VDC Coil and EHH-AMP-702 Power Plug. (C) 24VDC source, 12 or 24VDC Coil and EEA-PAM-523 Amplifier Card.

Ratings: Flow: 0-8 GPM. Operating Pressure: 3000 PSI. Ambient Temperature: -22°F to 194°F. Typical hysteresis: Less than 4% of rated current at 1450 PSI pressure drop - Pulse Width Modulated. Internal Leakage: 0.18 cubic inches per minute maximum at 2000 PSI and 139 SSU. Oil Viscosity Range: 46-3704 SSU. Coil Current for Maximum Flow: 1.4 amps @ 12VDC, 0.7 amps @ 24VDC. Recommended PWM Frequency: 65-150 Hz, application dependent, 100 Hz typical. Coil Resistance @ 68°F: 6.5 ohms @ 12V, 25 ohms @ 24V. Power Consumption @ Rated Current and 68°F Coil Temperature: 12.8 watts.

Recommended Filtration Level: ISO 4406 Cleanliness Level 17/15/12 or cleaner.

Cartridge: Model EPV10-*, sold separately.

Housing: Cavity size C-10-2, sold separately.

DIN 43650 Solenoid Connectors: page 1132

Proportional Flow Control Valves • Vickers® EPV10 Series • To 8 GPM

Catalog Part No.	Vickers Part No.	Vickers Model	Voltage Rating	Coil Type	Manual Override	Housing	Seal Material	Wt.	Price Each
C1AD45	02-316242	EPV10-12D-M-U-10	12VDC	DIN 43650	Pin Type	None (Select below)	Buna-N	2.00	



Product Index
Model Index
Hose & Access
Hose Fittings
Hose Clamps
Tubing Prod
Piping Prod
Adapters
Quick Disc
Plumb Misc
Perf Prod
Pumps & Access
Hydraulic Motors
Hydrostatic Trans
Cyls & Steering
High Force Hydraulics
Valves & Access
Filters & Access
Power Units
System Access
Air System
Seals
Misc Prod
Tech Info
Catalog PN Index